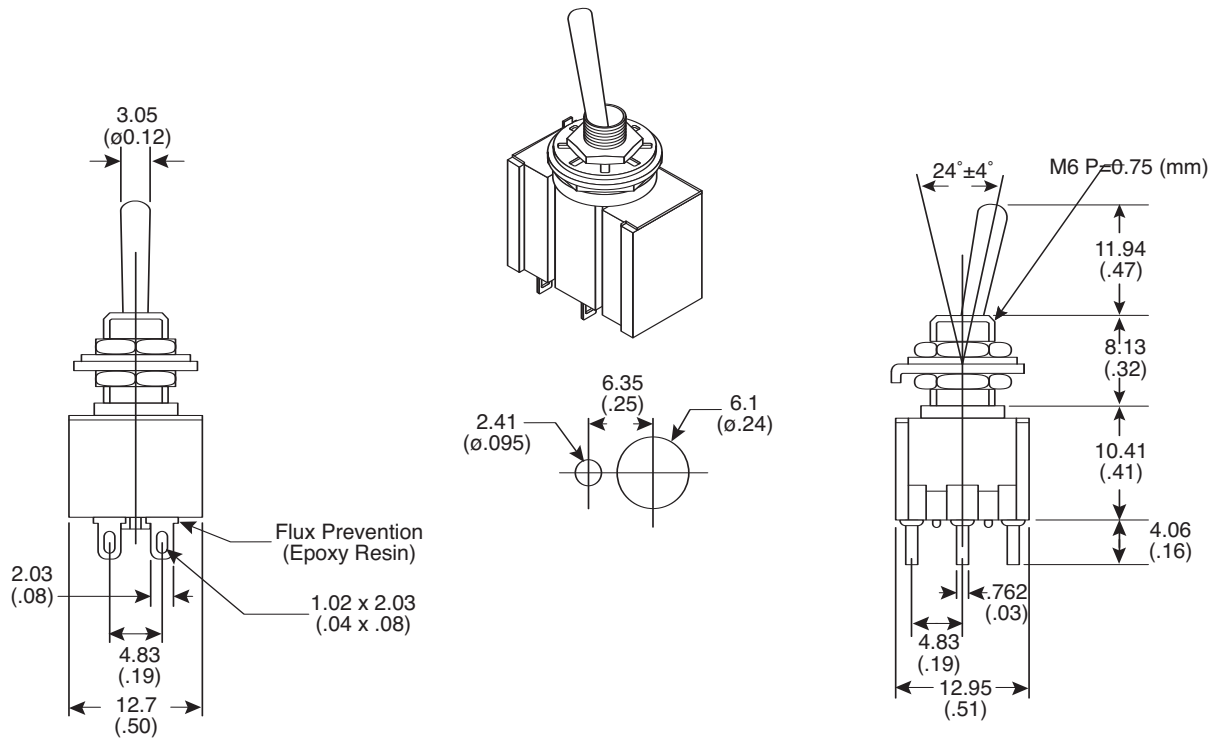


Dimensions: mm (In.)



Electrical Specifications:

- Rating: 6A/125VAC 3A/250VAC; 6A/30VDC
- Inductive load: 6A/125VAC (power factor 0.8), (3A 250VAC) (p. f. 0.8)
- Electrical life: over 10,000 operations (same as above) (rated load)
- Insulation resistance: over 100MΩ (by DC 500V tester)
- Dielectric Strength: 1,000VAC for 1 minute (between contact & case)
- Contact resistance: 20mΩ max.

Mechanical Specifications:

- Mechanical life: over 30,000 operations (switching frequency 20 operations minute)
- Ambient temperature: -10C to + 55C
- Ambient humidity: 85% RH max.

Mouser Stock No.	Type	Circuit
10TC220	SPST	ON-OFF
10TC230	SPDT	ON-ON
10TC232	SPDT	ON-(ON)
10TC235	SPDT	ON-OFF-ON
10TC240	SPDT	ON-OFF-(ON)
10TC245	SPDT	(ON)-OFF-(ON)
10TC260	DPDT	ON-ON
10TC262	DPDT	ON-(ON)
10TC265	DPDT	ON-OFF-ON
10TC270	DPDT	ON-OFF-(ON)
10TC275	DPDT	(ON)-OFF-(ON)

Description	Material	Finish
Lever	C3603BDS	Ep-Cu/Ni, Cr
Metal	C3603BDS	Ep-Cu/Ni, Cr
Hex. Nut	SWCH-8R	Ep-Cu/Ni
Toothed Washer	SK-6	
Ring	SPCC	
Frame	SUS	
Terminal	Melamine Penol	
Center Term.	Ag+Cu	Ep-Cu/Ag
	ClI00R	Ep-Cu/Ag

Miniature Toggle Switches
10TC220-10TC275

